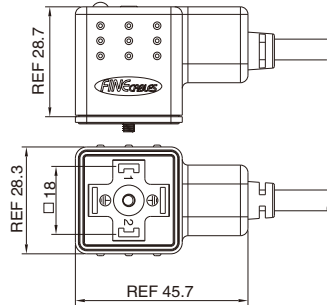


## Valve Plug, Female, Molded Cable, Type A

- Connector series: Valve plug
- Gender: Female
- Construction type: A
- Locking system: Central screw
- Part No.: VCAFMXX\*\*.-XXXXXX

\*\* refers to pins number  
X refers to cable specification



### General information

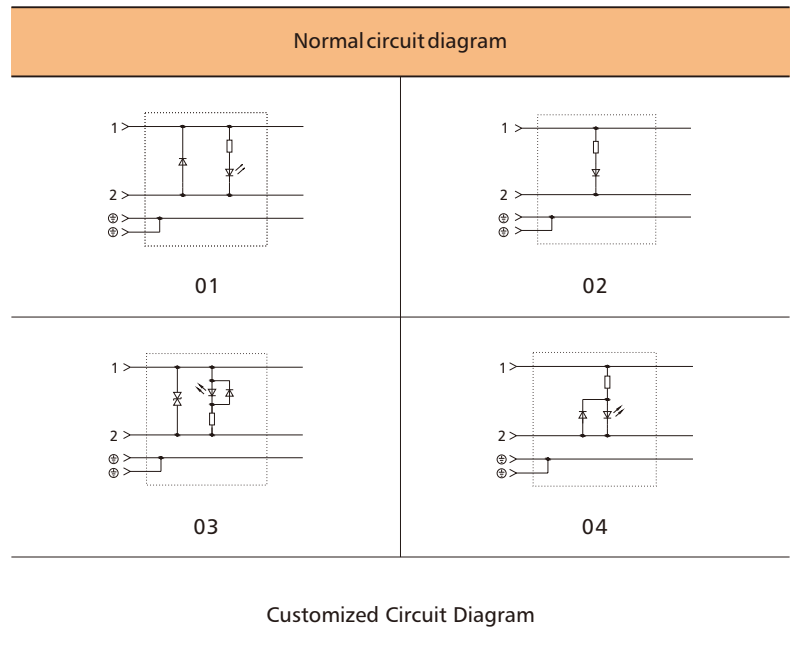
Standard:	DIN EN 175 301-803-A
Ambient temperature:	-40°C ~ +80°C (fixed installation) -20°C ~ +80°C (flexible installation)
Termination:	Soldering
Pin dimensions:	6.3x0.8mm, 4.8x0.8mm
Connector overmold:	TPU
Contact bearer material:	PA+GF
Housing material:	PC
Contact:	PS with silver plated
Screw:	Steel with Zn plated
Seal:	FKM
Gasket:	TPU/NBR

Rated voltage:	24V/250V
Rated impulse voltage:	800V/4000V
Rated current:	8A/10A
Insulation resistance:	≥100MΩ
Contact resistance:	≤4mΩ
IP rating:	IP 67 in locked condition
Cable type:	PVC or PUR cable
Conductor size:	max. 1.5mm <sup>2</sup>

### Electrical data & Mechanical data

Contacts		Part No.
3+PE		VCAFMXX31-XXXXXX
2+2PE		VCAFMXX22-XXXXXX
2+PE		VCAFMXX21-XXXXXX
3P		VCAFMXX03-XXXXXX
4P		VCAFMXX04-XXXXXX

Note: X refers to cable specification



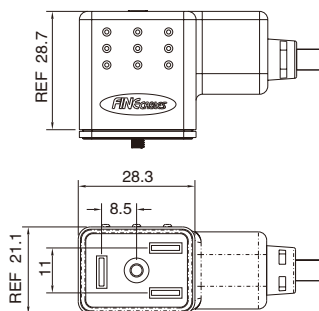
### Remarks

- Please refer to Page 578 for the Conversion between American Wire Gauge AWG and Wire Cross-section mm<sup>2</sup>.
- Please refer to Page 432 for products' part number encoding rule.

## Valve Plug, Female, Molded Cable, Type B

- Connector series: Valve plug
- Gender: Female
- Construction type: B
- Locking system: Central screw
- Part No.: VCBFMXX\*\*-XXXXXX

\*\* refers to pins number  
X refers to cable specification



### General information

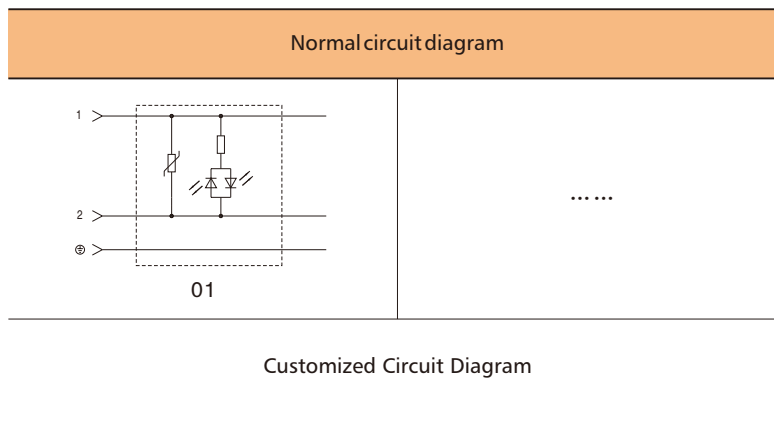
Standard:	Industrial standard
Ambient temperature:	-40°C ~ +80°C(fixed installation) -20°C ~ +80°C(flexible installation)
Termination:	Soldering
Pin dimensions:	6.3x0.8mm, 4.8x0.8mm
Connector overmold:	TPU
Contact bearer material:	PA+GF
Housing material:	PC
Contact:	PS with silver plated
Screw:	Steel with Zn plated
Seal:	FKM
Gasket:	TPU/NBR

Rated voltage:	24V/250V
Rated impulse voltage:	800V/4000V
Rated current:	8A/10A
Insulation resistance:	≥100MΩ
Contact resistance:	≤4mΩ
IP rating:	IP 67 in locked condition
Cable type:	PVC or PUR cable
Conductor size:	max.1.5mm <sup>2</sup>

### Electrical data & Mechanical data

Contacts	Part No.
2+PE 	VCBFMXX21-XXXXXX

Note: X refers to cable specification



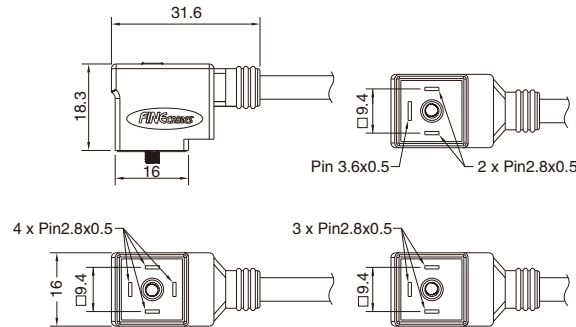
### Remarks

- Please refer to Page 578 for the Conversion between American Wire Gauge AWG and Wire Cross-section mm<sup>2</sup>.
- Please refer to Page 432 for products' part number encoding rule.

## Valve Plug, Female, Molded Cable, Type C

- Connector series: Valve plug
- Gender: Female
- Construction type: C
- Locking system: Central screw
- Part No.: VCCFMXX\*\*-XXXXXX

\*\* refers to pins number  
X refers to cable specification



### General information

Standard:	Industrial standard
Ambient temperature:	-40°C ~ +80°C (fixed installation) -20°C ~ +80°C (flexible installation)
Termination:	Soldering
Pin dimensions:	2.8x0.5mm, 3.6x0.5mm
Connector overmold:	TPU
Contact bearer material:	PA+GF
Contact:	PS with silver plated
Screw:	Steel with Zn plated
Seal	FKM

Rated voltage:	250V
Rated impulse voltage:	800V
Rated current:	6A
Insulation resistance:	≥ 100MΩ
Contact resistance:	≤ 4mΩ
IP rating:	IP 67 in locked condition
Cable type:	PVC or PUR cable
Conductor size:	max. 0.5mm <sup>2</sup>

### Electrical data & Mechanical data

Contacts	Part No.
3+PE	VCCFMXX31-XXXXXX
2+2PE	VCCFMXX22-XXXXXX
2+PE	VCCFMXX21-XXXXXX
3P	VCCFMXX03-XXXXXX
4P	VCCFMXX04-XXXXXX

Note: X refers to cable specification

Normal circuit diagram	
.....	00
.....	...
.....	...
.....	...
Customized Circuit Diagram	

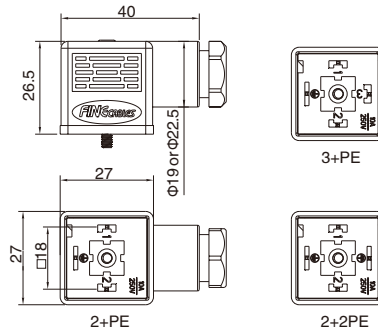
### Remarks

- Please refer to Page 578 for the Conversion between American Wire Gauge AWG and Wire Cross-section mm<sup>2</sup>.
- Please refer to Page 432 for products' part number encoding rule.

## Valve Plug, Female, Field Wirable Assembly, Type A, PG9 / PG11

- Connector series: Valve plug
- Gender: Female
- Construction type: A
- Locking system: Central screw
- Part No.: VCAFAXX\*\*

\*\* refers to pins number



### General information

Standard:	DIN EN 175 301-803-A
Ambient temperature:	-30°C ~ +125°C
Termination:	Screw
Pin dimensions:	6.3x0.8mm, 4.8x0.8mm
Housing color:	Black
Contact bearer material:	PA+GF
Housing material:	PA
Contact:	PS with silver plated
Screw:	Steel with Zn plated
Seal:	FKM/NBR
Gasket:	NBR

Rated voltage:	250V
Rated impulse voltage:	4000V
Rated current:	10A
Insulation resistance:	≥ 100MΩ
Contact resistance:	≤ 4mΩ
IP rating:	IP 65 in locked condition
Cable gland:	PG9 / PG11
Suitable cables(Dia.):	4.5~7.0mm/6.0~9.0mm
Conductor size:	max.0.5mm <sup>2</sup>

### Electrical data & Mechanical data

Contacts	Part No.
3+PE	VCAFAXX31
2+2PE	VCAFAXX22
2+PE	VCAFAXX21
3P	VCAFAXX03
4P	VCAFAXX04

Normal circuit diagram	
.....	00
.....	...
.....	...
.....	...
Customized Circuit Diagram	

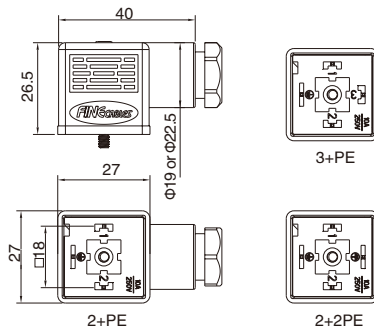
### Remarks

- Please refer to Page 578 for the Conversion between American Wire Gauge AWG and Wire Cross-section mm<sup>2</sup>.
- Please refer to Page 433 for products' part number encoding rule.

## Valve Plug, Female, Field Wirable Assembly, Type A with LED

- Connector series: Valve plug
- Gender: Female
- Construction type: A
- Locking system: Central screw
- Part No.: VCAFAXX\*\*-LED

\*\* refers to pins number



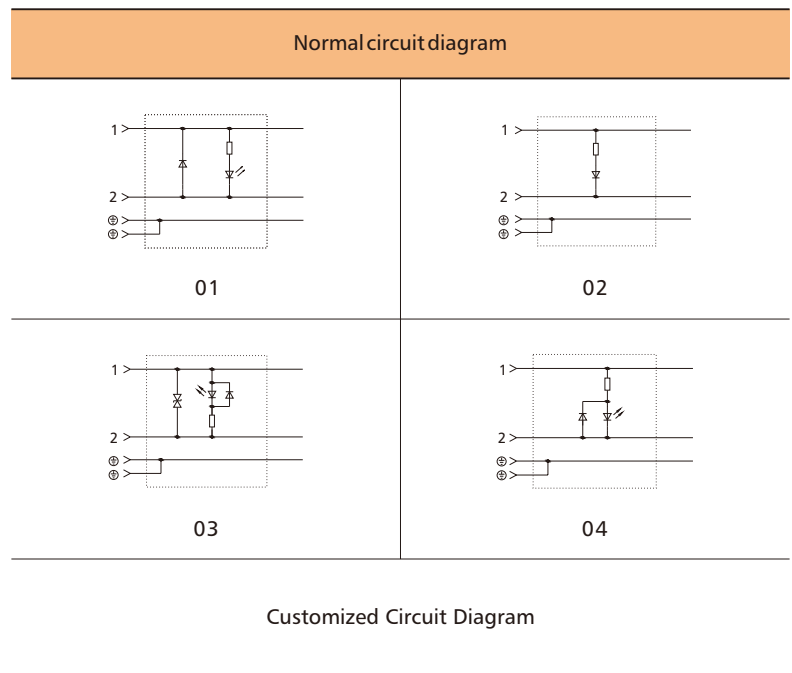
### General information

Standard:	DIN EN 175 301-803-A
Ambient temperature:	-25°C ~ +90°C
Termination:	Screw
Pin dimensions:	6.3x0.8mm, 4.8x0.8mm
Housing color:	Transparent
Contact bearer material:	PA+GF
Housing material:	PC
Contact:	PS with silver plated
Screw:	Steel with Zn plated
Seal:	FKM/NBR
Gasket:	NBR

Rated voltage:	24V
Rated impulse voltage:	800V
Rated current:	8A
Insulation resistance:	≥ 100MΩ
Contact resistance:	≤ 4mΩ
IP rating:	IP 65 in locked condition
Cable gland:	PG9 / PG11
Suitable cables(Dia.):	4.5~7.0mm/6.0~9.0mm
Conductor size:	max.1.5mm <sup>2</sup>

### Electrical data & Mechanical data

Contacts	Part No.
3+PE	VCAFAXX31-LED
2+2PE	VCAFAXX22-LED
2+PE	VCAFAXX21-LED
3P	VCAFAXX03-LED
4P	VCAFAXX04-LED



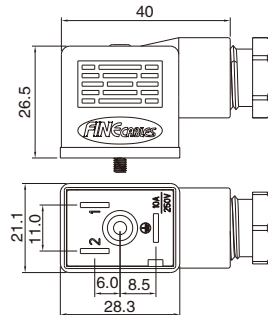
### Remarks

- Please refer to Page 578 for the Conversion between American Wire Gauge AWG and Wire Cross-section mm<sup>2</sup>.
- Please refer to Page 433 for products' part number encoding rule.

## Valve Plug, Female, Field Wirable Assembly, Type B

- Connector series: Valve plug
- Gender: Female
- Construction type: B
- Locking system: Central screw
- Part No.: VCBFAXX\*\*

\*\* refers to pins number



### General information

Standard:	Industrial standard
Ambient temperature:	-30 °C~ + 125 °C
Termination:	Screw
Pin dimensions:	6.3x0.8mm, 4.8x0.8mm
Housing color:	Black
Contact bearer material:	PA+GF
Housing material:	PA+GF
Contact:	PS with silver plated
Screw:	Steel with Zn plated
Seal:	FKM/NBR
Gasket:	NBR

Rated voltage:	250V
Rated impulse voltage:	4000V
Rated current:	10A
Insulation resistance:	≥ 100MΩ
Contact resistance:	≤ 4mΩ
IP rating:	IP 65 in locked condition
Cable gland:	PG9
Suitable cables(Dia.):	4.5~7.0mm
Conductor size:	max.1.5mm <sup>2</sup>

### Electrical data & Mechanical data

Contacts		Part No.	Normal circuit diagram	
2+PE		VCBFAXX21	.....	00

### Remarks

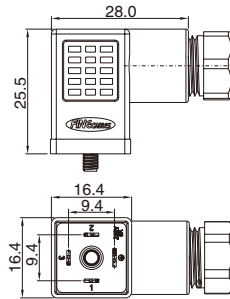
- Please refer to Page 578 for the Conversion between American Wire Gauge AWG and Wire Cross-section mm<sup>2</sup>.
- Please refer to Page 433 for products' part number encoding rule.



## Valve Plug, Female, Field Wirable Assembly, Type C

- Connector series: Valve plug
- Gender: Female
- Construction type: C
- Locking system: Central screw
- Part No.: VCCFAXX\*\*

\*\* refers to pins number



### General information

Standard:	Industrial standard
Ambient temperature:	-30 °C~ + 125 °C
Termination:	Screw
Pin dimensions:	4.6x0.5mm, 3.8x0.5mm
Housing color:	Black
Contact bearer material:	PA+GF
Housing material:	PA+GF
Contact:	PS with silver plated
Screw:	Steel with Zn plated
Seal:	FKM/NBR
Gasket:	NBR

Rated voltage:	250V
Rated impulse voltage:	800V
Rated current:	6A
Insulation resistance:	≥ 100MΩ
Contact resistance:	≤ 4mΩ
IP rating:	IP 65 in locked condition
Cable gland:	PG7
Suitable cables(Dia.):	4.0~6.0mm
Conductor size:	0.5mm <sup>2</sup>

### Electrical data & Mechanical data

Contacts		Part No.	Normal circuit diagram	
3+PE		VCCFAXX31	.....	00

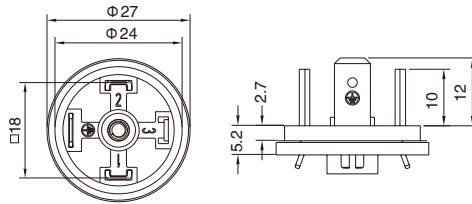
### Remarks

- Please refer to Page 578 for the Conversion between American Wire Gauge AWG and Wire Cross-section mm<sup>2</sup>.
- Please refer to Page 433 for products' part number encoding rule.

## Valve Plug, Male Base Conn., Type A, Circular

- Connector series: Valve plug
- Gender: Male
- Construction type: A
- Locking system: Central screw
- Part No.: VCAMA01\*\*-0

\*\* refers to pins number



### General information



Standard:	DIN EN 175 301-803-A
Ambient temperature:	-30°C ~ +125°C
Termination:	Soldering
Pin dimensions:	6.3x0.8mm, 4.8x0.8mm
Housing color:	Black
Housing material:	PA
Contact:	Brass with tin plated or nickel plated
Central nut:	Brass with nickel plated
Gasket:	NBR

Rated voltage:	250V
Rated impulse voltage:	4000V
Rated current:	16A
Insulation resistance:	≥ 100MΩ
Contact resistance:	≤ 4mΩ
IP rating:	IP 65 in locked condition

### Electrical data & Mechanical data

Contacts		Part No.	Normal circuit diagram	
3+PE		VCAMA0131-0	.....	00
2+2PE		VCAMA0122-0	.....	...
2+PE		VCAMA0121-0	.....	...
3P		VCAMA0103-0	.....	...
4P		VCAMA0104-0	Customized Circuit Diagram	

### Remarks

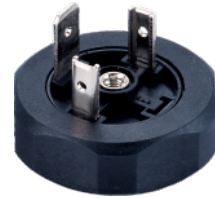
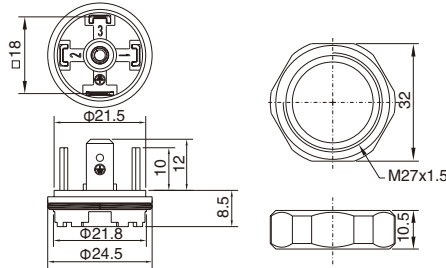
- Please refer to Page 433 for products' part number encoding rule.



## Valve Plug, Male Base Conn., Type A, Circular, with Hexagonal Nut

- Connector series: Valve plug
- Gender: Male
- Construction type: A
- Locking system: Central nut
- Part No.: VCAMA03\*\*\*-1

\*\* refers to pins number



### General information

Standard:	DIN EN 175 301-803-A
Ambient temperature:	-30°C ~ +125°C
Termination:	Soldering
Pin dimensions:	6.3x0.8mm, 4.8x0.8mm
Housing color:	Black
Housing material:	PA+GF
Contact:	Brass with tin plated or nickel plated
Central nut:	Brass with nickel plated

Rated voltage:	400V
Rated impulse voltage:	4000V
Rated current:	16A
Insulation resistance:	≥ 100MΩ
Contact resistance:	≤ 4mΩ
IP rating:	IP 65 in locked condition

### Electrical data & Mechanical data

Contacts		Part No.	Normal circuit diagram	
3+PE		VCAMA0331-1	.....	00
2+2PE		VCAMA0322-1	.....	...
2+PE		VCAMA0321-1	.....	...
3P		VCAMA0303-1	.....	...
4P		VCAMA0304-1	Customized Circuit Diagram	

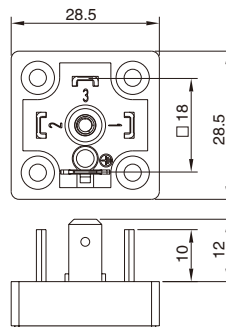
### Remarks

- Please refer to Page 433 for products' part number encoding rule.

## Valve Plug, Male Base Conn., Type A, Rectangular

- Connector series: Valve plug
- Gender: Male
- Construction type: A
- Locking system: Central nut
- Part No.: VCAMA02\*\*\*-0

\*\* refers to pins number


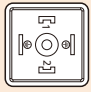





### General information

Standard:	DIN EN 175 301-803-A
Ambient temperature:	-30°C ~ +125°C
Termination:	Soldering
Pin dimensions:	6.3x0.8mm, 4.8x0.8mm
Housing color:	Black
Housing material:	PA+GF
Contact:	Brass with tin plated or nickel plated
Central nut:	Brass with nickel plated

Rated voltage:	400V
Rated impulse voltage:	4000V
Rated current:	16A
Insulation resistance:	≥ 100MΩ
Contact resistance:	≤ 4mΩ
IP rating:	IP 65 in locked condition

### Electrical data & Mechanical data

Contacts	Part No.
3+PE 	VCAMA0231-0
2+2PE 	VCAMA0222-0
2+PE 	VCAMA0221-0
3P 	VCAMA0203-0
4P 	VCAMA0204-0

Normal circuit diagram	
.....	00
.....	...
.....	...
.....	...
Customized Circuit Diagram	

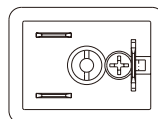
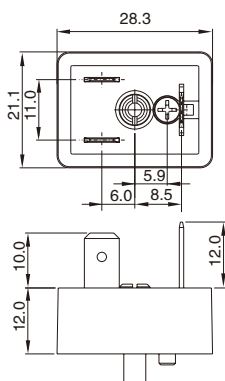
### Remarks

- Please refer to Page 433 for products' part number encoding rule.

## Valve Plug, Male Base Conn., Type B, Rectangular

- Connector series: Valve plug
- Gender: Male
- Construction type: B
- Locking system: Central nut
- Part No.: VCBMA02\*\*-0

\*\* refers to pins number



### General information

Standard:	Industrial standard
Ambient temperature:	-30 °C~ + 125 °C
Termination:	Soldering
Pin dimensions:	6.3x0.8mm
Housing color:	Black
Housing material:	PA+GF
Contact:	Brass with tin plated or nickel plated
Central nut:	Brass with nickel plated

Rated voltage:	AC/DC 250V
Rated impulse voltage:	4000V
Rated current:	16A
Insulation resistance:	≥ 100MΩ
Contact resistance:	≤ 4mΩ
IP rating:	IP 65 in locked condition

### Electrical data & Mechanical data

Contacts		Part No.	Normal circuit diagram	
2+PE		VCBMA0221-0	.....	00

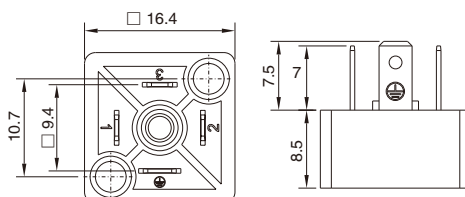
### Remarks

- Please refer to Page 433 for products' part number encoding rule.

## Valve Plug, Male Base Conn., Type C, Rectangular

- Connector series: Valve plug
- Gender: Male
- Construction type: C
- Locking system: Central nut
- Part No.: VCCMAXX\*\*

\*\* refers to pins number






### General information



Standard:	Industrial standard
Ambient temperature:	-30°C ~ +125°C
Termination:	Soldering
Pin dimensions:	4.6x0.5mm, 3.8x0.5mm
Housing color:	Black
Housing material:	PA+GF
Contact:	Brass with tin plated or nickel plated
Central nut:	Brass with nickel plated

Rated voltage:	AC/DC 250V
Rated impulse voltage:	800V
Rated current:	6A
Insulation resistance:	≥100MΩ
Contact resistance:	≤4mΩ
IP rating:	IP 65 in locked condition

### Electrical data & Mechanical data

Contacts	Part No.
2+PE 	VCCMAXX21-0
2+2PE 	VCCMAXX22-0
3+PE 	VCCMAXX31-0

Normal circuit diagram	
.....	00
.....	...
Customized Circuit Diagram	

### Remarks

- Please refer to Page 433 for products' part number encoding rule.